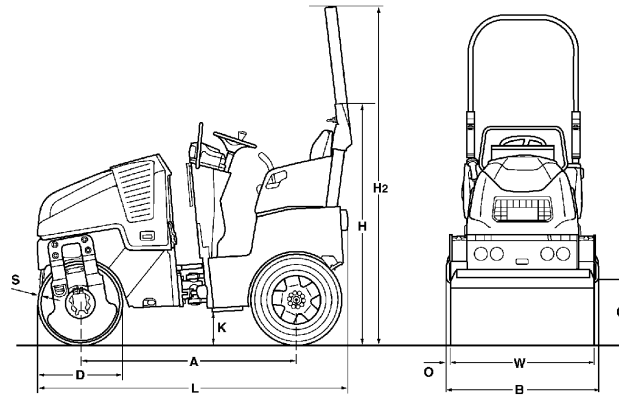


# TECHNICAL DATA

COMBINATION ROLLER

BW 100 ACM-5, BW 100 SCC-5





**Dimensions in mm**

|                     | <b>A</b> | <b>B</b> | <b>C</b> | <b>D</b> | <b>H</b> | <b>H2</b> | <b>K</b> | <b>L</b> | <b>O</b> | <b>S</b> | <b>W</b> |
|---------------------|----------|----------|----------|----------|----------|-----------|----------|----------|----------|----------|----------|
| <b>BW 100 ACM-5</b> | 1483     | 1056     | 435      | 580      | 1663     | 2340      | 240      | 2194     | 28       | 12       | 1000     |
| <b>BW 100 SCC-5</b> | 1483     | 1056     | 435      | 580      | 1663     | 2340      | 240      | 2194     | 28       | 12       | 1000     |

**Shipping dimensions in m3**

**BW 100 ACM-5**  
**BW 100 SCC-5**

**without ROPS**

3,853  
 3,853

**with ROPS**

5,421  
 5,421

| <b>Machine type</b> | <b>Compaction output (t/h) at different asphalt layer thicknesses</b> |               |                 |
|---------------------|---|---------------|-----------------|
|                     | <b>2-4 cm</b>   | <b>6-8 cm</b> | <b>10-14 cm</b> |
| BW 100 ACM-5        | 10-35   | 30-45         | 40-70           |
| BW 100 SCC-5        | 10-35   | 30-45         | 40-70           |

**Technical Data****BOMAG  
BW 100 ACM-5****BOMAG  
BW 100 SCC-5****Weights**

|                                      |       |         |         |
|--------------------------------------|-------|---------|---------|
| Operating weight CECE .....          | kg    | 1.700   | 1.700   |
| Axle load, drum / wheels CECE .....  | kg    | 820/880 | 800/900 |
| Wheel load CECE .....                | kg    | 220     | 225     |
| Static linear load, front CECE ..... | kg/cm | 8,2     | 8,0     |
| Grossweight .....                    | kg    | 1.900   | 1.900   |

**Dimensions**

|                           |    |       |       |
|---------------------------|----|-------|-------|
| Working width .....       | mm | 1.000 | 1.000 |
| Track radius, inner ..... | mm | 1.980 | 1.980 |

**Driving Characteristics**

|   |      |         |         |
|---|------|---------|---------|
| Speed .....                               | km/h | 0- 10,0 | 0- 10,0 |
| Working speed with vibration .....        | km/h | 0- 10,0 | 0- 10,0 |
| Max. gradeability without/with vibr. .... | %    | 40/30   | 40/30   |

**Drive**

|                              |       |                  |                  |
|------------------------------|-------|------------------|------------------|
| Engine manufacturer .....    |       | Kubota           | Kubota           |
| Type .....                   |       | D 902            | D 902            |
| Emission stage .....         |       | Stage V / TIER4f | Stage V / TIER4f |
| Cooling .....                |       | water            | water            |
| Number of cylinders .....    |       | 3                | 3                |
| Performance ISO 14396 .....  | kW    | 15,1             | 15,1             |
| Performance SAE J 1995 ..... | hp    | 20,2             | 20,2             |
| Speed .....                  | min-1 | 3.000            | 3.000            |
| Speed adjustment 1 .....     | min-1 | 2.100            | 2.100            |
| Speed adjustment 2 .....     | min-1 | 3.000            | 3.000            |
| Electric equipment .....     | V     | 12               | 12               |
| Driven drum .....            |       | front            | front            |
| Driven wheels .....          |       | 4                | 4                |

**Drums and Tyres**

|                 |  |           |           |
|-----------------|--|-----------|-----------|
| Tyre size ..... |  | 205/60-15 | 205/60-15 |
|-----------------|--|-----------|-----------|

**Brakes**

|                     |  |           |           |
|---------------------|--|-----------|-----------|
| Service brake ..... |  | hydrost.  | hydrost.  |
| Parking brake ..... |  | hydromec. | hydromec. |

**Steering**

|  |      |              |              |
|--|------|--------------|--------------|
| Steering system .....                  |      | oscil.artic. | oscil.artic. |
| Steering method .....                  |      | hydrost.     | hydrost.     |
| Steering / oscillating angle +/- ..... | grad | 33/8         | 33/8         |
| Crab walk .....                        | mm   | 0- 50        | 0- 50        |

**Exciter system**

|                         |    |          |          |
|-------------------------|----|----------|----------|
| Vibrating drum .....    |    | front    | front    |
| Drive system .....      |    | hydrost. | hydrost. |
| Frequency .....         | Hz | 42/63    | 42/63    |
| Amplitude .....         | mm | 0,40     | 0,40     |
| Centrifugal force ..... | kN | 8/17     | 8/17     |

**Sprinkler System**

|                          |  |          |          |
|--------------------------|--|----------|----------|
| Type of sprinkling ..... |  | pressure | pressure |
|--------------------------|--|----------|----------|

**Capacities**

|                |   |       |       |
|----------------|---|-------|-------|
| Fuel .....     | l | 30,0  | 30,0  |
| Water .....    | l | 100,0 | 100,0 |
| Emulsion ..... | l | 11,0  | 11,0  |

Technical modifications reserved. Machines may be shown with options.

### Standard Equipment

- Four smooth rear rubber wheels
- Hydrostatic travel and vibration drive
- 2 scrapers per drum, spring loaded and tiltable
- Pressure sprinkler system with interval switch
- Multi function travel lever
- Multi-function display incl. operating hour meter
- Water level
- Emergency STOP
- Intelligent Vibration Control (IVC)
- Integrated storage compartment
- Adjustable operator's seat
- Seat contact switch
- Vandalism protection
- 12V socket
- Working lights front and rear
- Back-up alarm
- Lockable engine hood made of composite material
- Lashing eyes, galvanized
- Single point lifting device

### Optional Equipment

- ROPS with safety belt
- \* Foldable ROPS incl. seat belt
- Double travel lever
- Seat heating
- ECONOMIZER with asphalt temperature display (BW100ACM)
- Temperature display
- BOMAG TELEMATIC
- Electronic fuel gauge
- Theft protection
- Indicator and hazard lights
- Rotary beacon
- Optional lighting on ROPS
- Battery disconnect switch
- Environmentally compliant hydraulic oil
- Special painting
- Edge cutter
- Port for hydraulik breaker
- Backup warning buzzer with broadband technology
- Brake release device
- ECOSTOP
- Outside mirrors
- Tablet holder set

\* Standard delivery with CE conformity  
(valid within European Union)

